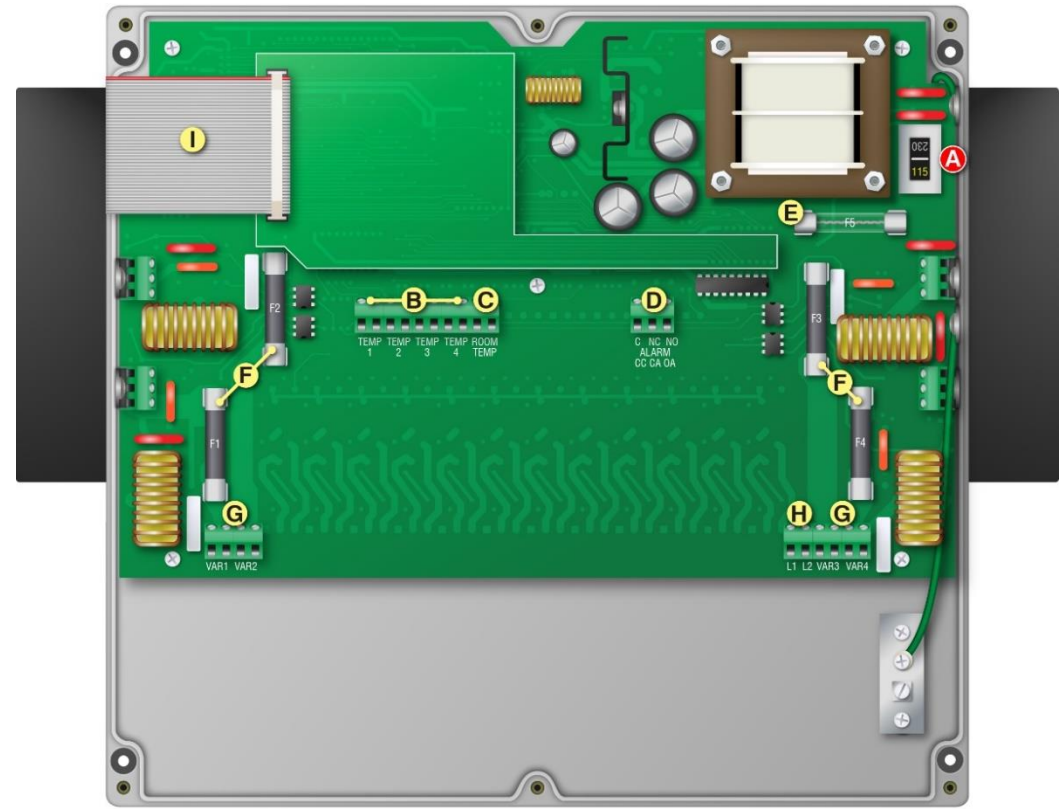
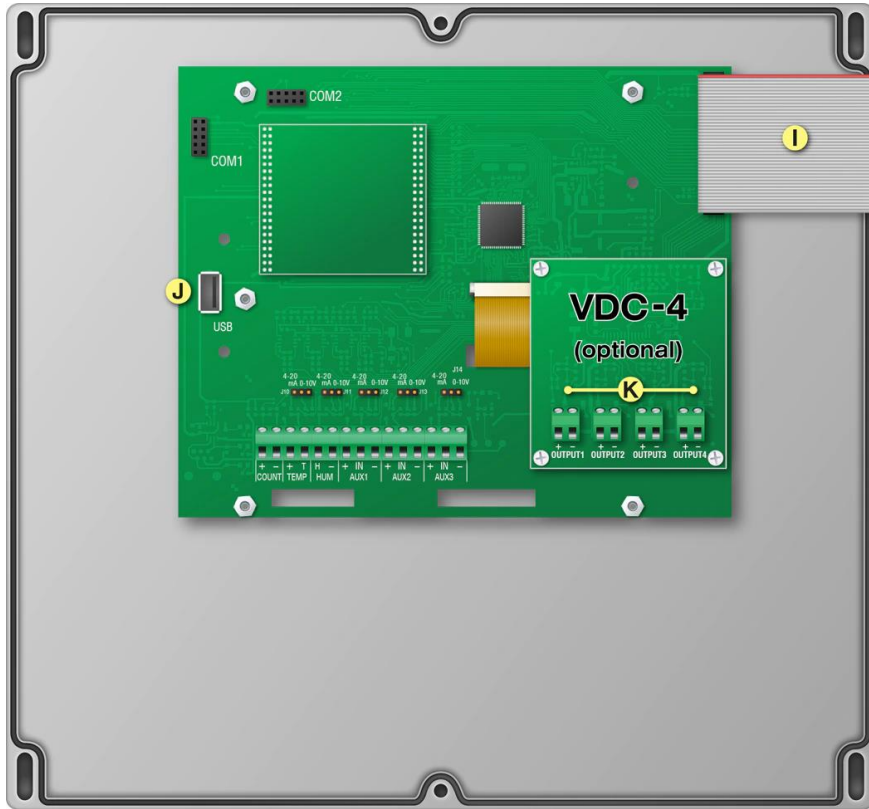
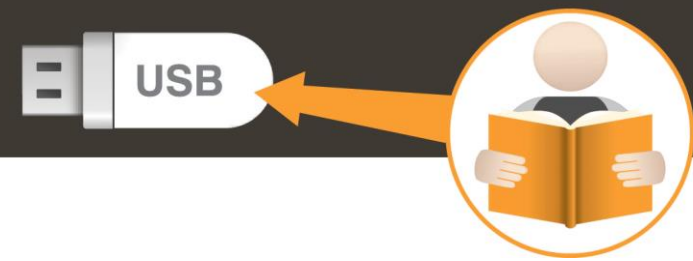


# HH-HMC-4



**(A) Voltage switch** ⚠️ Set the switch to the correct line voltage.

**(B) Temperature [TEMP1 to TEMP4]**  
Connect the primary 3K Series temperature probe to TEMP1. Connect any additional 3K Series probes to the other terminals.

**(C) Room temperature (ROOM TEMP)**  
Connect a 3K Series probe for monitoring room temperatures.

**(D) Alarm relay**  
Connect an external alarm system or siren.

**(E) Control fuse**  
The fuse for the main control

**(F) Fuses [F1 to F4]**  
Fuses for variable stages: F1 for VAR1, F2 for VAR2, and so on.

**(G) Variable stages [VAR1 to VAR4]**  
Connect variable speed fans or heating equipment.

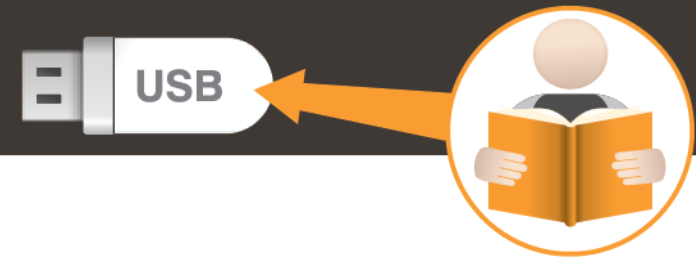
**(H) Incoming power**  
Connect the incoming power from the panel.

**(I) Display cable**  
Disconnect the cable during installation. Reconnect it when done.

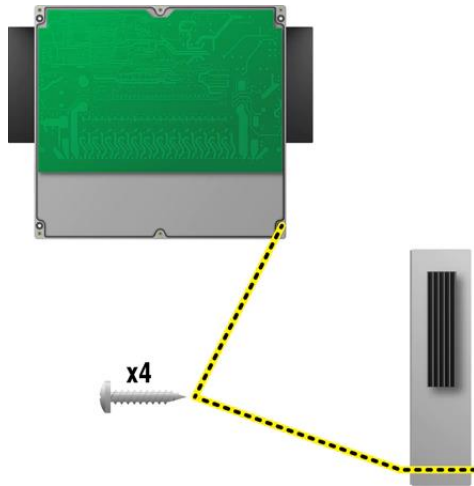
**(J) USB**  
Connect a USB drive when saving / loading settings or upgrading.

**(K) VDC-4 [OUTPUT1 to OUTPUT4]:** Connect variable frequency drives (VFDs) or other equipment that requires a 0 to 10 V DC signal input.

# HH-HMC-4



## Mounting holes and orientation



x4

## Input power

- ◇ 120/230 VAC, 50/60 Hz

## Control fuse [F5]

- ◇ 1 A, 250 VAC fast-acting glass

## Variable stages [4: VAR1 to VAR4]

- ◇ 10 A at 120/230 VAC, general-purpose (resistive)
- ◇ 7 FLA at 120/230 VAC, PSC motor  
1/2 HP at 120 VAC, 1 HP at 230 VAC, PSC motor

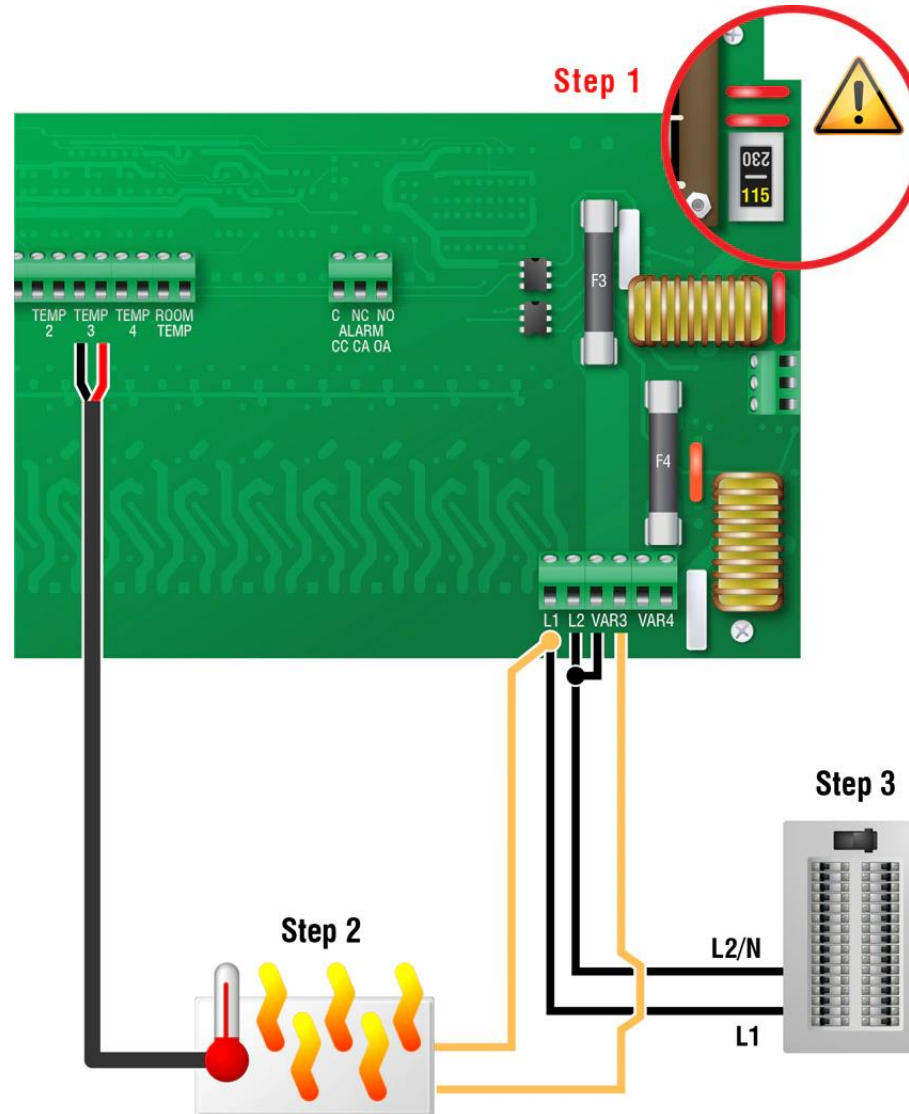
## Variable stage fuses [4: F1 to F4]

- ◇ 15 A, 250 VAC ABC-type ceramic

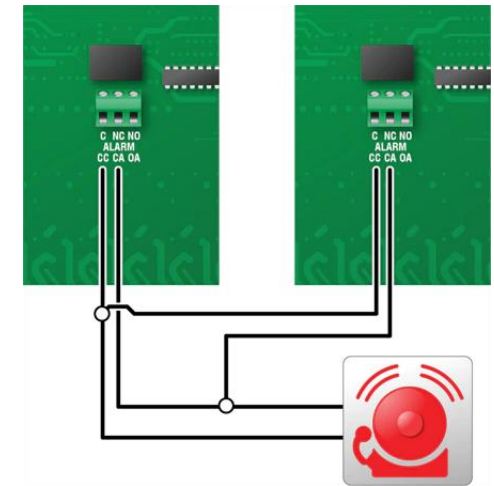
## Alarm relay

- ◇ 0.4 A at 125 VAC; 2 A at 30 VDC, resistive load
- ◇ 0.2 A at 125 VAC; 1 A at 30 VDC, inductive load

## Incoming power and heat mats



## Normally open alarm system



## Normally closed alarm system

