

15-Watt LED Fixture

The IL-Tek 15-watt high efficiency luminaire is designed for liquid tight, optimal illumination of agricultural, commercial and industrial locations. The luminaire is designed to provide reliable, consistent performance in a wide variety of lighting applications.

Accessories

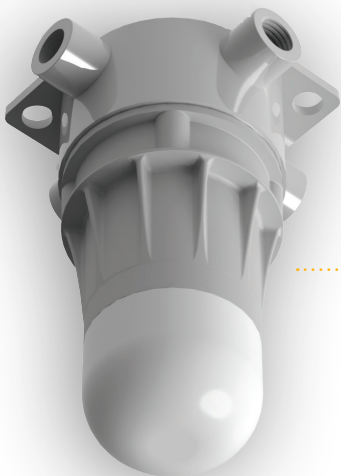
- E26 Socket Connector
- Junction Box Adaptor (1pc)
- Silicone Adaptor Gasket (1pc)
- Stainless Steel Mounting Screws (2 pcs)

Applications

- Agriculture
- Commercial / Industrial
- Tunnels
- Corridors
- Warehousing

Specifications

Power & Lumen Output	15 watt/1739lm (115.9lm per watt)	Operating Temperature	-20°C to +45°C (-4°F to 113°F)
Dimensions	4.09 x 6.10 inches (104 x 155mm)	Input Voltage	100 - 277V/AC 50/60hz
Color Temperature CCT	5000K (Day White)	Dimmable	Non - Dimmable
Color Rendering Index	> 80	Power factor	> 0.95
Rated Life (L80)	5 Years (DOP) / 50,000 Hours	Environmental	Suitable for wet & damp locations (IP-66)
Beam Spread	160 ° Degree	Thread Type	M84 x 6 (3.307" OD & .236" pitch) (84mm OD & 6mm pitch)



Includes 15W Fixture, Hardwire Connector

Features

- Suitable for wet/damp locations
- 160-degree beam spread (reduced-glare from frosted globes lens)
- Driver provides consistent output over varying voltage conditions
- Surge protections (0 - 2500 volts)
- Lightweight, impact resistant, anti-corrosive enclosure/lens
- Energy efficient - designed to replace 100W incandescent or 25 watt CFL
- Adaptor compatibility with most jelly jar junction boxes
- Easy installation with E26 socket connector accessory
- Low maintenance
- Low operating temperature - Aluminum/plastic heatsink

